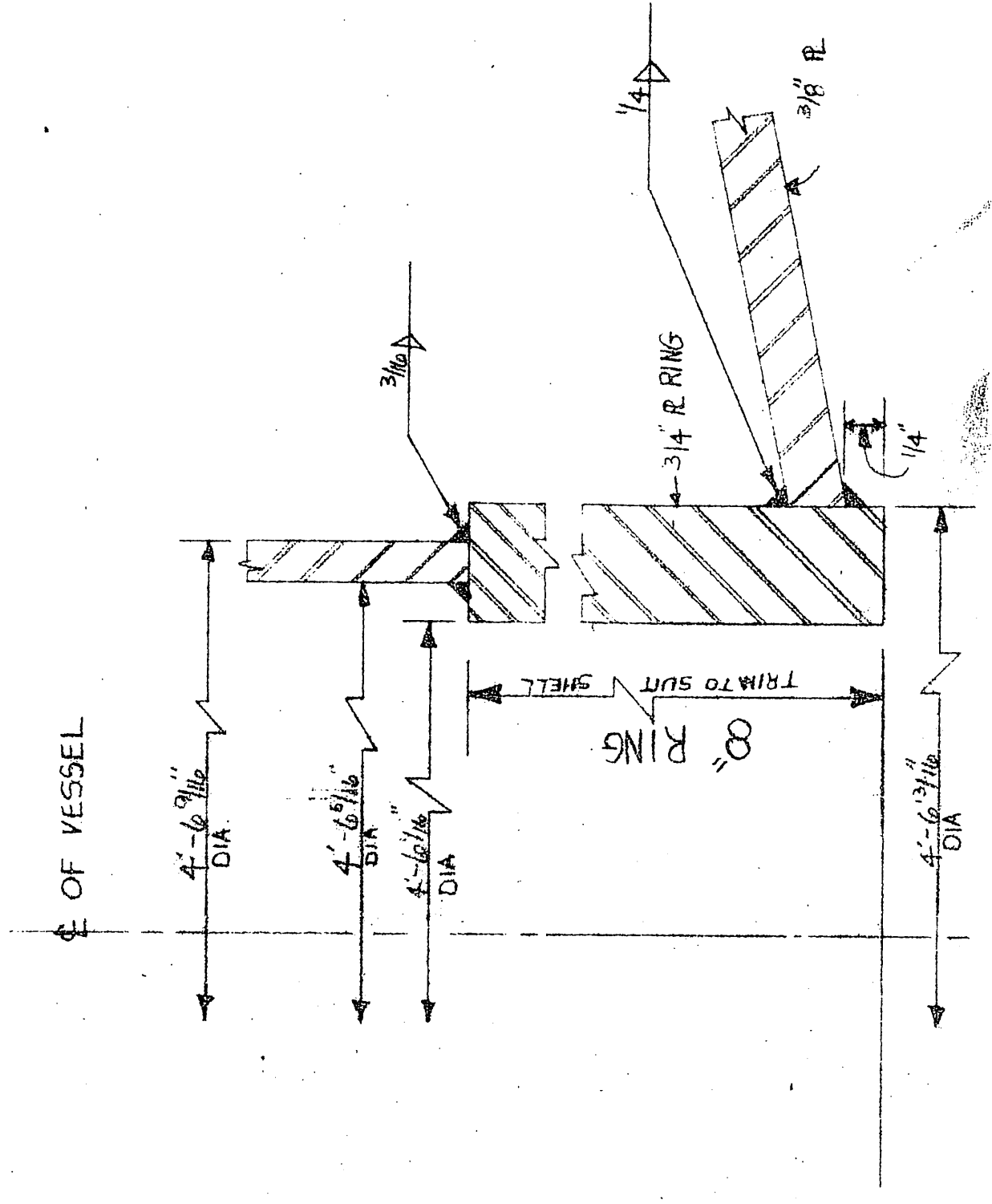
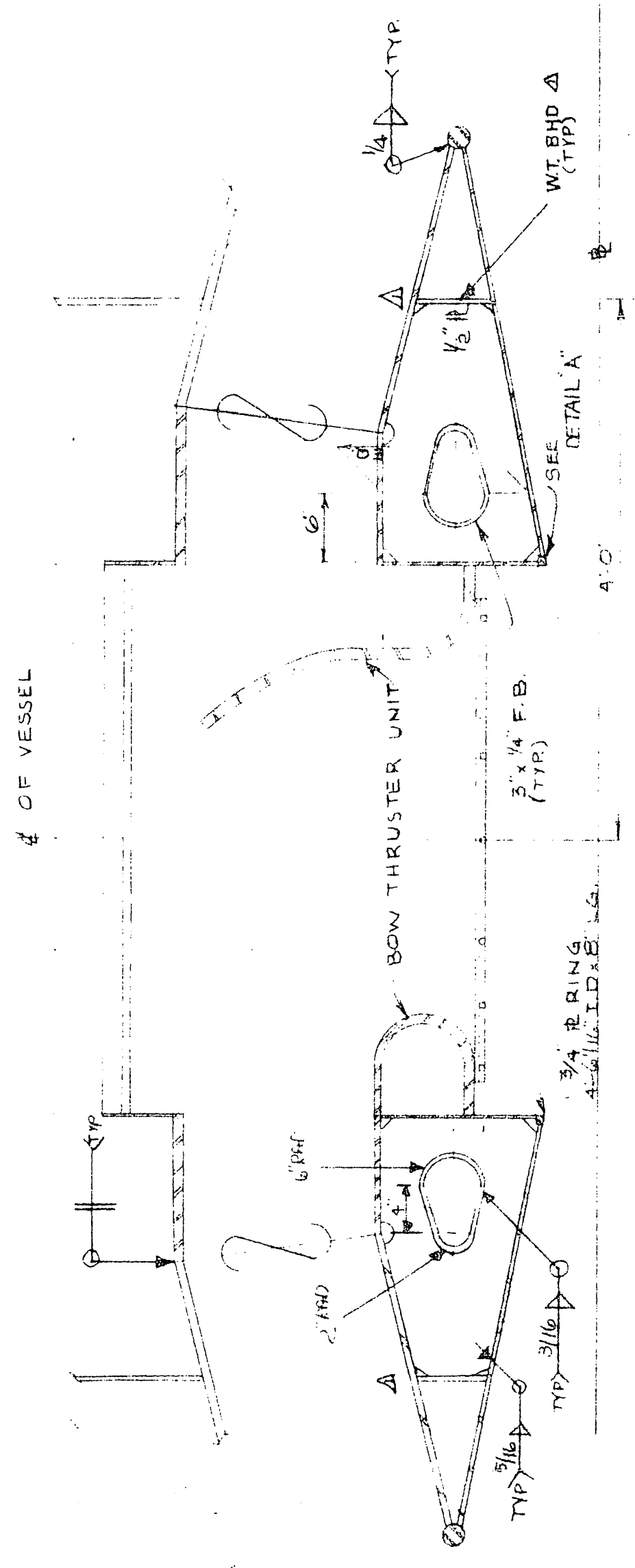


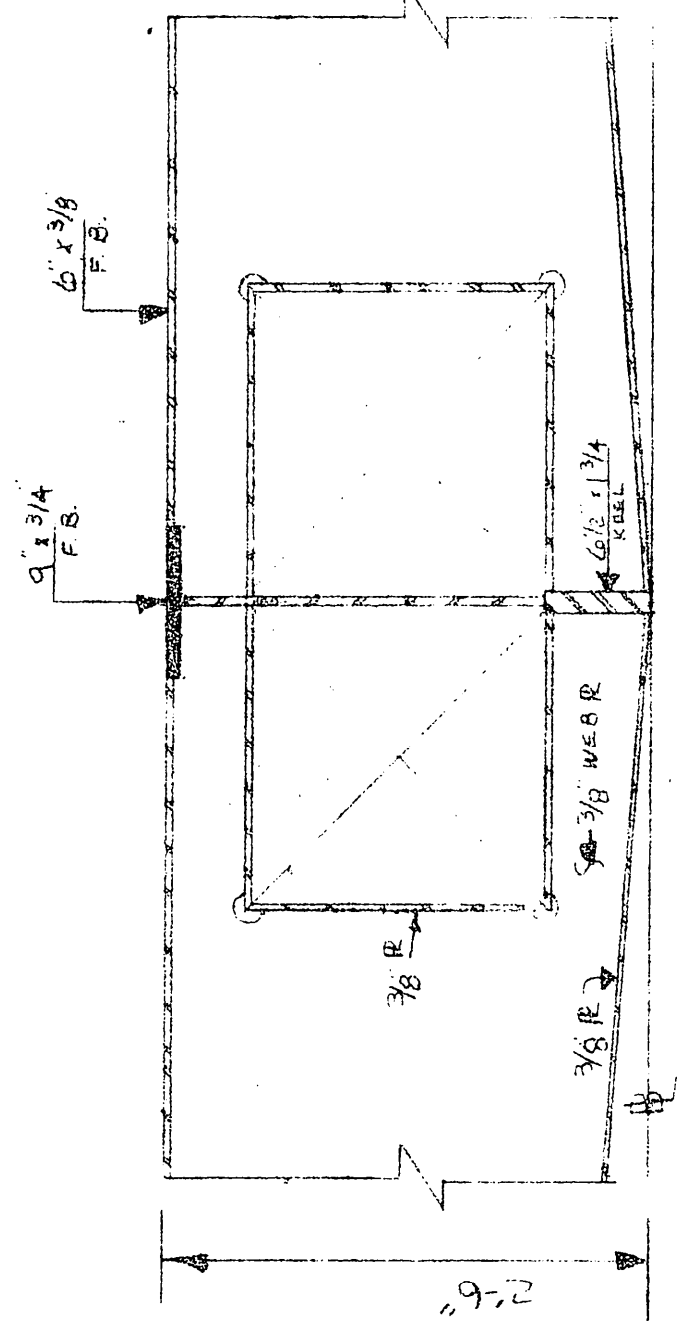
REV. NO.	DESCRIPTION	BY	DATE
1	REVISED FROM 2-41	...	...
2	REVISED FROM 2-41	...	...
3	REVISED FROM 2-41	...	...
4	REVISED FROM 2-41	...	...
5	REVISED FROM 2-41	...	...



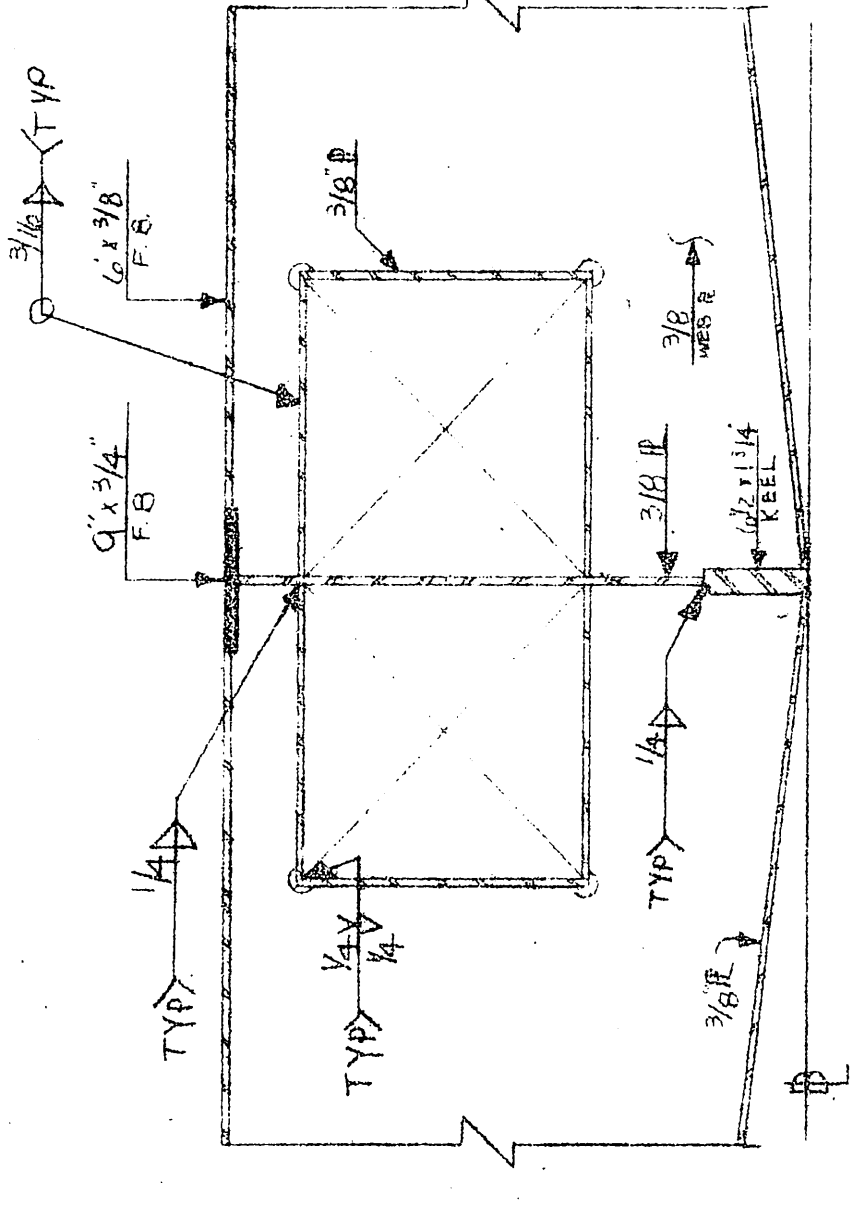
DETAIL A  
FULL SIZE



SECTION C-C  
AT FRAME 8 LING FWD  
FR. 5 SIM.



SECTION E-E  
AT FRAME 12 LING FWD



SECTION F-F  
AT FRAME 10 LING FWD

NOTE:  
NO. 20, THIS DWS, WITH DWS, NO. 2002, 20,  
THRU THRUSTER UNIT PLAN PROFILE OF BOW  
THRUSTER

**DESIGN ASSOCIATES, INC.**  
NAVAL ARCHITECTS  
NEW ORLEANS, LA.

TIDE WATER MARINE SERVICE

14' 3" x 36' x 10' SEISMIC VESSEL

DETAILS OF AFT BOW THRUSTER TRUNK

Drawn: J. THOMAS Date: 1/10/81 Checked:  
 Traced: Date: Checked:  
 App'd: Date: Scale: 1" = 1'-0"  
 Sheet 1 of 1 Drawing No. C-2002-42 Replaces: 2-41